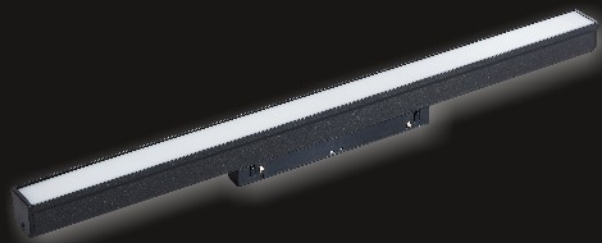


LED MAGNETIC LIGHT

LED magnetic light



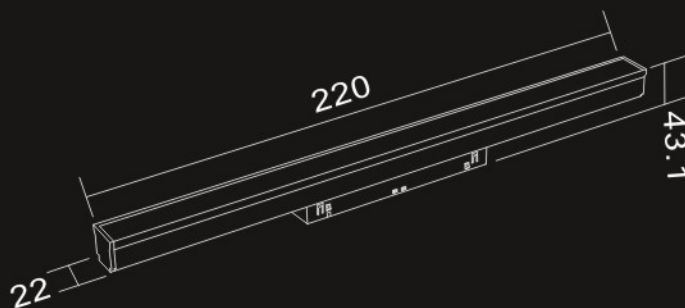
Specification

Type	: LED magnetic light
Model	: CX010-12
Color	: Black
Watt	: 12W
Main material	: Aluminium
Heat dissipation	: Aluminium
Type of LED	: COB
Input parameter	: AC180-260V
Incoming frequency	: 50-60Hz
Power factor	: 0.55
Color temperature(K)	: 3000K/4000K
Lumen (lm)	: 1080lm
Beam angle	: 120°
Operating temperature	: -30° ~ +45°
Lifespan (Hrs)	: ≥25000Hrs
IP	: IP20
Installation	: magnetic track rail
Qty/Ctn	: 50

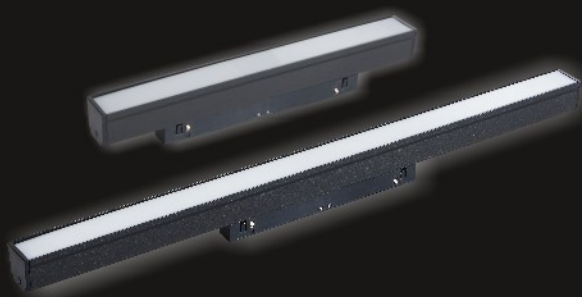
Measurements(mm)

Model	Watt	L	W	H
CX010-12	12W	220	22	43.1

Application



LED magnetic light



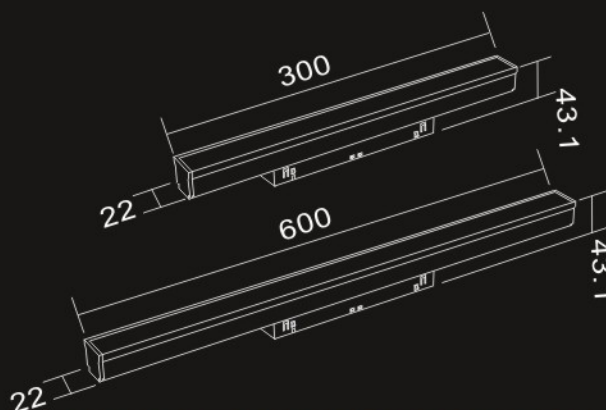
Specification

Type	: LED magnetic light
Model	: DTFG20-300/DTFG20-600
Color	: Black
Watt	: 20W/30W
Main material	: Aluminium
Heat dissipation	: Aluminium
Type of LED	: COB
Input parameter	: AC180-260V
Incoming frequency	: 50-60Hz
Power factor	: 0.55
Color temperature(K)	: 3000K/4000K
Lumen (lm)	: 1800lm/2700lm
Beam angle	: 120°
Operating temperature	: -30° ~ +45°
Lifespan (Hrs)	: ≥25000Hrs
IP	: IP20
Installation	: magnetic track rail
Qty/Ctn	: 50

Measurements(mm)

Model	Watt	L	W	H
DTFG20-300	20W	300	22	43.1
DTFG20-600	30W	600	22	43.1

Application



LED magnetic light



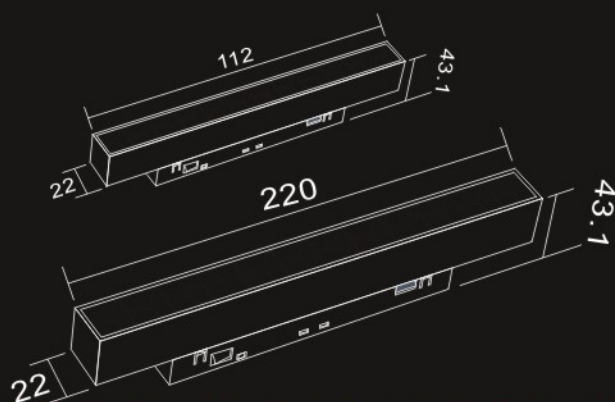
Specification

Type	: LED magnetic light
Model	: CX011-6/CX011-12
Color	: Black
Watt	: 6W/12W
Main material	: Aluminium
Heat dissipation	: Aluminium
Type of LED	: COB
Input parameter	: AC180-260V
Incoming frequency	: 50-60Hz
Power factor	: 0.55
Color temperature(K)	: 3000K/4000K
Lumen (lm)	: 540lm/1080lm
Beam angle	: 24°
Operating temperature	: -30° ~ +45°
Lifespan (Hrs)	: ≥25000Hrs
IP	: IP20
Installation	: magnetic track rail
Qty/Ctn	: 100

Measurements(mm)

Model	Watt	L	W	H
CX011-6	6W	112	22	43.1
CX011-12	12W	220	22	43.1

Application



LED magnetic light



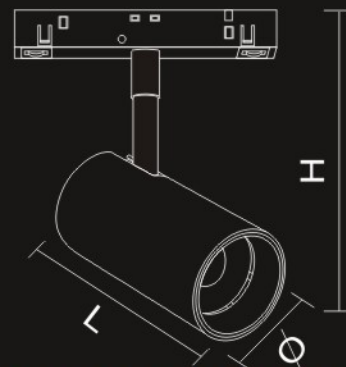
Specification

Type	: LED magnetic light
Model	: CX-501
Color	: Black
Watt	: 7W/10W/20W
Main material	: Aluminium
Heat dissipation	: Aluminium
Type of LED	: COB
Input parameter	: AC180-260V
Incoming frequency	: 50-60Hz
Power factor	: 0.55
Color temperature(K)	: 3000K/4000K
Lumen (lm)	: 630lm/900lm/1800lm
Beam angle	: 24°
Operating temperature	: -30° ~ +45°
Lifespan (Hrs)	: ≥25000Hrs
IP	: IP20
Installation	: magnetic track rail
Qty/Ctn	: 120/40/40

Measurements(mm)

Model	Watt	L	Ø	H
CX501-7/7W	7W	78	13	134
CX501-10/10W	10W	100	50	153
CX501-20/20W	20W	115	60	140

Application

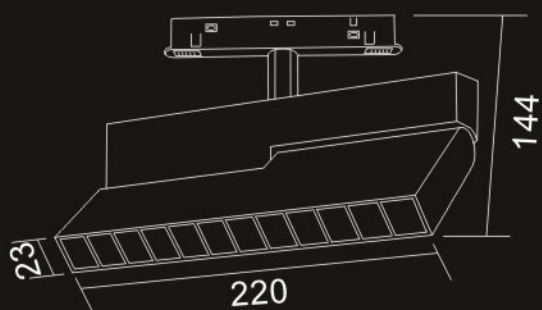


LED magnetic light



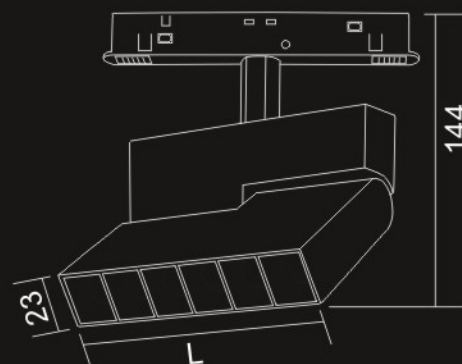
Specification

Type	: LED magnetic light
Model	: CX-201
Color	: Black
Watt	: 6W/12W
Main material	: Aluminium
Heat dissipation	: Aluminium
Type of LED	: COB
Input parameter	: AC180-260V
Incoming frequency	: 50-60Hz
Power factor	: 0.55
Color temperature(K)	: 3000K/4000K
Lumen (lm)	: 540lm/1080lm
Beam angle	: 24°
Operating temperature	: -30° ~ +45°
Lifespan (Hrs)	: ≥25000Hrs
IP	: IP20
Installation	: magnetic track rail
Qty/Ctn	: 40



Measurements(mm)

Model	Watt	L	W	H
CX201-6W	6W	112	23	144
CX201-12W	12W	220	23	144



Application



LED magnetic light



Specification

Type	: LED magnetic light
Model	: CX-301
Color	: Black
Watt	: 10W
Main material	: Aluminium
Heat dissipation	: Aluminium
Type of LED	: COB
Input parameter	: AC180-260V
Incoming frequency	: 50-60Hz
Power factor	: 0.55
Color temperature(K)	: 3000K/4000K
Lumen (lm)	: 900lm
Beam angle	: 24°
Operating temperature	: -30° ~ +45°
Lifespan (Hrs)	: ≥25000Hrs
IP	: IP20
Installation	: magnetic track rail
Qty/Ctn	: 40

Measurements(mm)

Model	Watt	L	Ø	H
CX-301	10W	100	50	-

Application

