

CIRCUIT COMPONENTS



A Complete System in Circuit Protection



24 HR Analogue Timer Switch



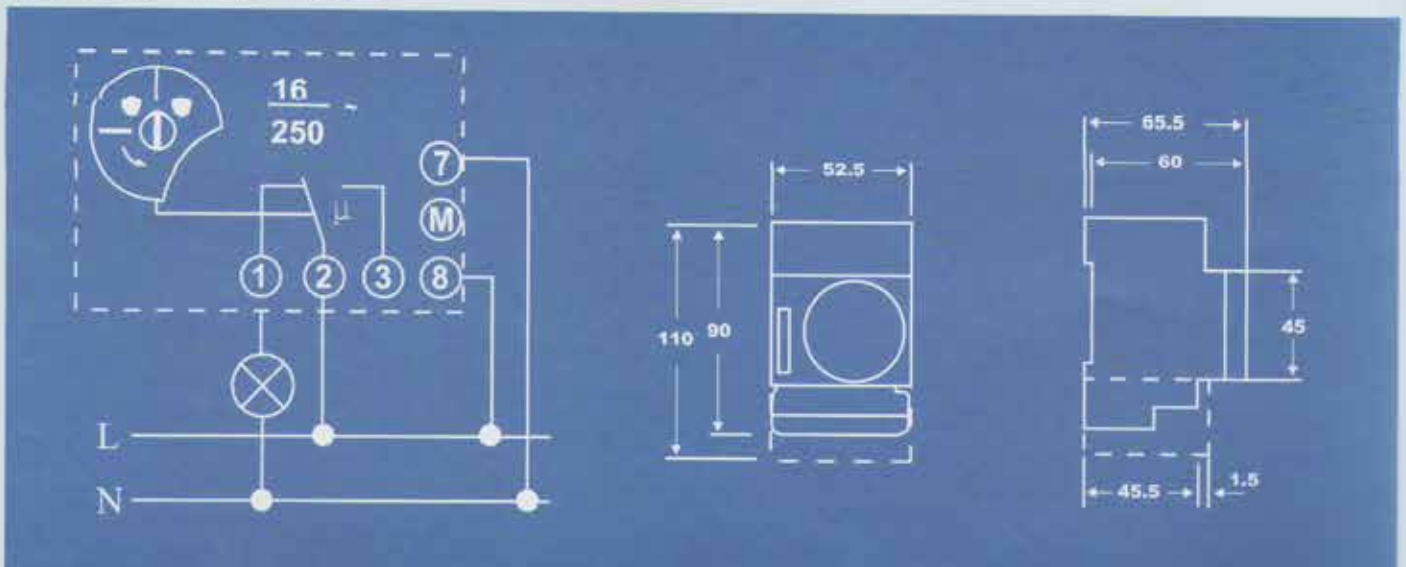
Product Features

- Timer Switch with Power reserve
- Norminal rated voltage at 230V ± 10%
- 24 hour dial with 30 min segment
- Manual over ride ON/OFF switching
- Permanent ON/OFF switching
- Snap on fixing for 35 mm Din-Rail (EN 50022)

Specification

MODEL NO	PROGRAM DIAL	POWER RESERVE APPROX	PROGRAM INTERVAL	SWITCHING CONTACTS	RATED CURRENT AT 250V
ET-24HR	24 Hour	3 Days	30 Min	1 c/o switch	16A

WIRING DIAGRAM/LAYOUT



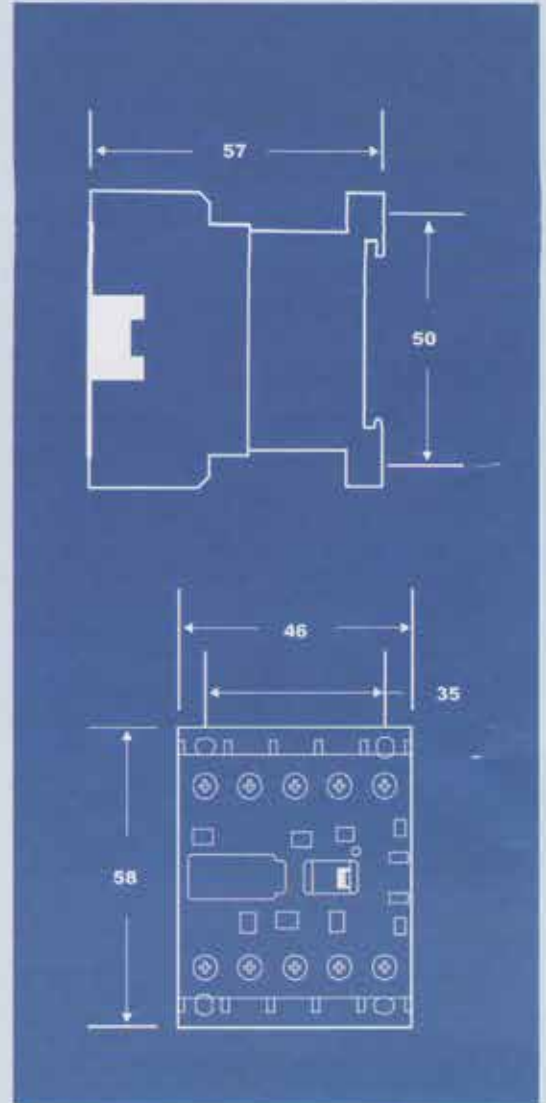
NC6 Series AC Contactor



APPLICATION

NC6 series AC Contactor is suitable for use in the control of lighting circuits particularly in places where building automation system is installed.

The product is designed in compliance to IEC 947-4-1.



Specifications	
Model No	EC-20-4p
Rated Voltage	240/415V
Rated Current : AC1	20 Amp
AC3	9 Amp
Standard Compliance	IEC 947-4-1
No. of Pole	3 pole, 4 pole
Mounting	Din-Rail Type

UPS

®

Dealer :

UtAMA

SWITCHGEAR SDN BHD

(416630-H)

Main office

No.3, Jalan USJ 19/4A,

UEP Subang Jaya, 47630 P. Jaya

Selangor Darul Ehsan, Malaysia.

Tel : 603-8024 1215 / 1216

Fax : 603-8024 1796

e-mail : utamasb@streamyx.com