



YLI
Ultimate Lighting Experience

YLI INDUSTRY SDN. BHD. (504654-U)

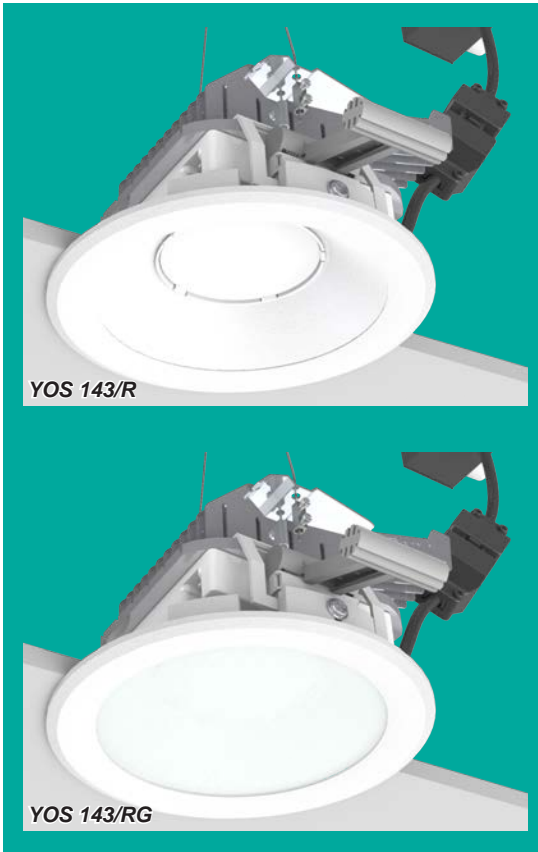
Tel: +60-5-366 5227 (Hunting Line), 366 4227, 366 8227, 366 9227

Fax: +60-5-365 1227, 366 1227

Email: info@yli-ind.com.my Website: www.yli-ind.com.my

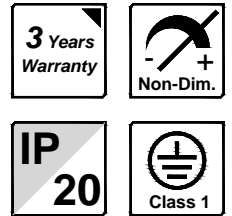
OASIS LED RECESSED ROUND DOWNLIGHTS

MODEL: YOS 143/R / YOS 143/RG (DC)



Specifications:

- Die Cast Aluminium Rim (Matt White)
- YLI - YHS 90 Aluminium Heatsink
- Aluminium Reflector Coated in Matt White
- Tempered Glass Frosted Diffuser (YOS 143/RG)
- Nylon Connecting Devices - 3 Way
- Electrostatically Polyester Powder Coated
- Thick 1.2mm Safety Steel Cable For Hanging
- Stainless Steel Spring Clip With PC Cover
- Split Mild Steel Gear Box
- 3 Way Plug & Socket to Connect Downlight & Split Gear Box
- Recessed Ceiling Mounted

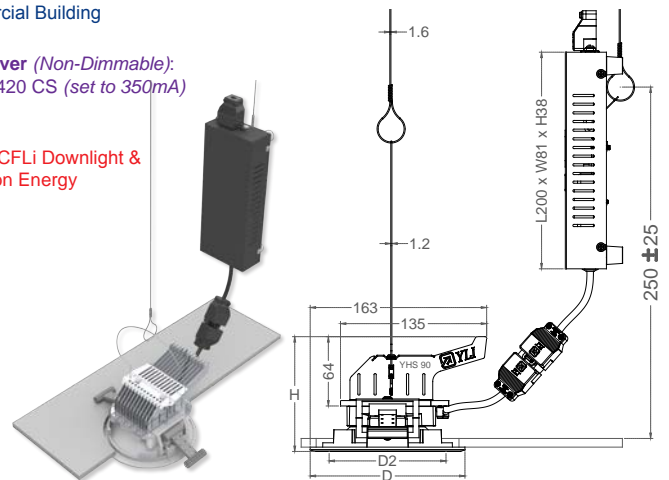


Areas of Application:

Home, Hospitality, Hotels, Offices,
Retail, Supermarkets, Restaurants,
Public & Commercial Building

OSRAM LED Driver (Non-Dimmable):
OTe 25/220-240/420 CS (set to 350mA)

Replace:
Equiv. to 1x30W CFLi Downlight &
Save Over 50% on Energy

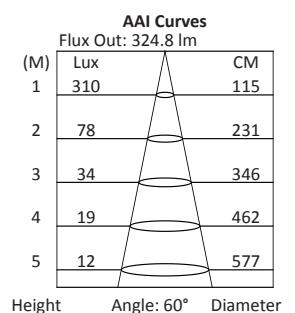
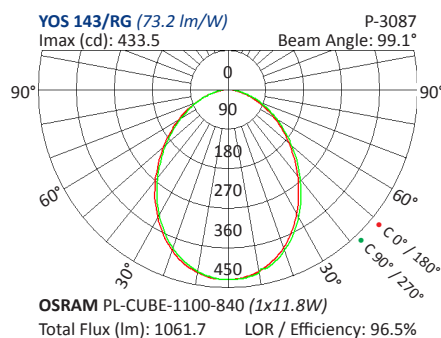
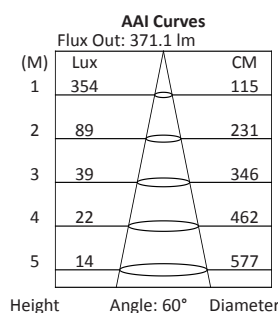
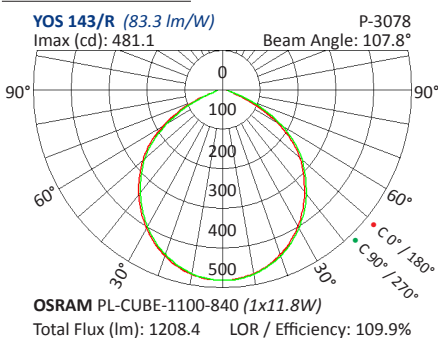


Model	Rim	Facet	Heatsink Type	Max. Temp. Range at Ta (°C)	Temp. Tc @ Ta = 35°C	Dimensions (mm)		Hole Cut (mm)	Weight (kg)	
						D x H x L	D2		Fitting	Gear
YOS 143/R	DCA	M. White Reflector	YHS 90	-20°C ~ 50°C	52°C	143 x 107 x 163	108	D132	0.48kg	0.48kg
YOS 143/RG	DCA	G. Frosted Diffuser	YHS 90	-20°C ~ 50°C	52°C	143 x 110 x 163	108	D132	0.54kg	0.48kg

OSRAM PL-CUBE LED Modules (DC)	Luminous Flux (lm)	Power (W) / Volt (V)	CCT (K)	CRI (Ra)	SDCM	Max. Temp. at Tc (°C)	Temp. at Tp (°C)	System Power (W)	System Current (A)	Lifespan (Hrs) (L70/B50)
PL-CUBE-1100-830	1,100lm	11.8W / 34.0V (350mA)	3,000K	≥ 80Ra	≤ 3	100°C	70°C	14.4W	≤ 0.07A	50,000Hrs
PL-CUBE-1100-840	1,100lm	11.8W / 34.0V (350mA)	4,000K	≥ 80Ra	≤ 3	100°C	70°C	14.4W	≤ 0.07A	50,000Hrs

OSRAM OPTOTRONIC LED Driver	Output Power (W)	Output Current (mA)	Output Voltage (V)	Power Loss (W)	Max Temp. at Tc (°C)	Driver Input (V, Hz)	Power Factor (λ)	Lifespan (Hrs)
OTe 25/220-240/420 CS	8 ~ 23W	290 / 350 / 420mA	27 ~ 54V	4W	75°C	220~240V, 50/60Hz	PF 0.95	50,000Hrs

Photometric Data:





YLI
Ultimate Lighting Experience

YLI INDUSTRY SDN. BHD. (504654-U)

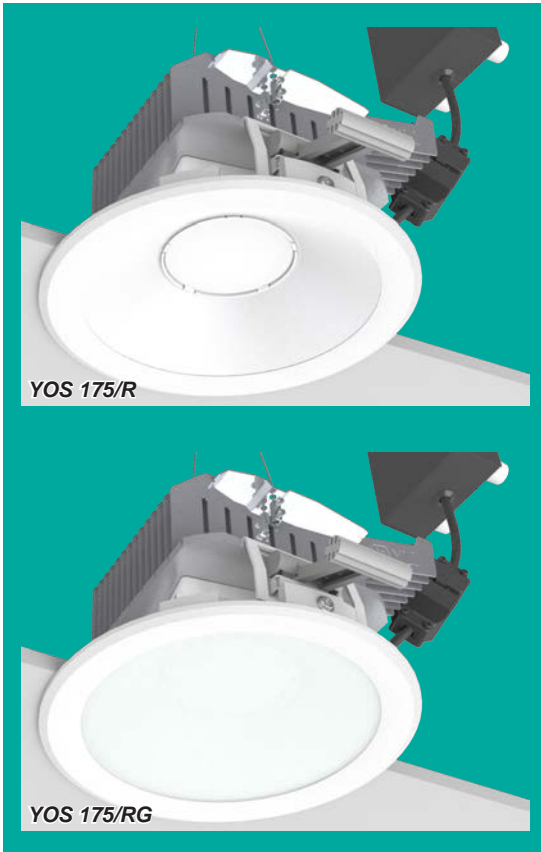
Tel: +60-5-366 5227 (Hunting Line), 366 4227, 366 8227, 366 9227

Fax: +60-5-365 1227, 366 1227

Email: info@yli-ind.com.my Website: www.yli-ind.com.my

OASIS LED RECESSED ROUND DOWNLIGHTS

MODEL: YOS 175/R / YOS 175/RG (DC)



Specifications:

- Die Cast Aluminium Rim (Matt White)
- YLI - YHS 125 Aluminium Heatsink
- Aluminium Reflector Coated in Matt White
- Tempered Glass Frosted Diffuser (YOS 175/RG)
- Nylon Connecting Devices - 3 Way
- Electrostatically Polyester Powder Coated
- Thick 1.2mm Safety Steel Cable For Hanging
- Stainless Steel Spring Clip With PC Cover
- Split Mild Steel Gear Box
- 3 Way Plug & Socket to Connect Downlight & Split Gear Box
- Recessed Ceiling Mounted

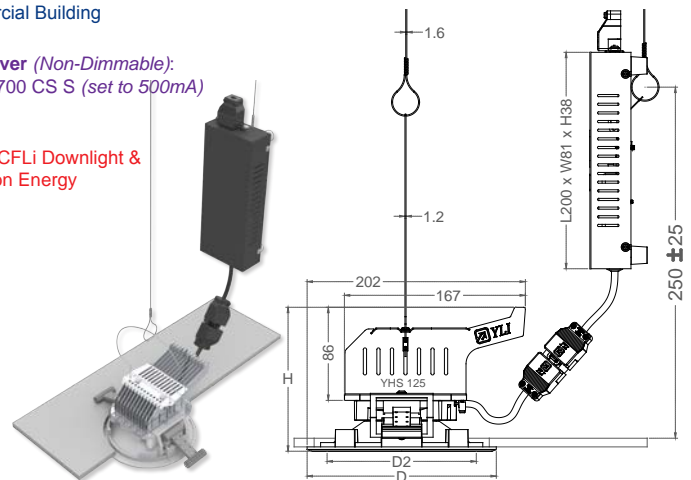


Areas of Application:

Home, Hospitality, Hotels, Offices,
Retail, Supermarkets, Restaurants,
Public & Commercial Building

OSRAM LED Driver (Non-Dimmable):
OTe 35/220-240/700 CS S (set to 500mA)

Replace:
Equiv. to 2x30W CFLi Downlight &
Save Over 55% on Energy

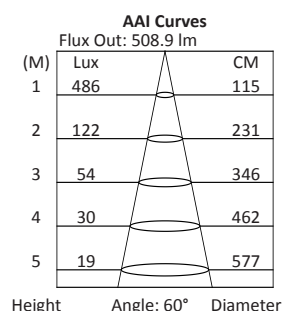
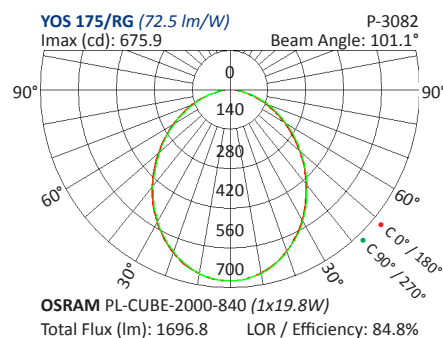
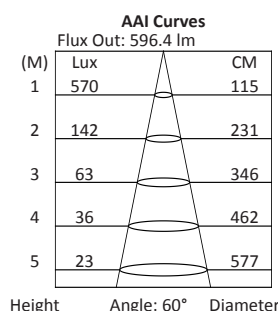
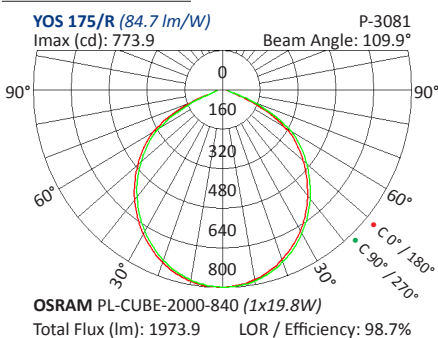


Model	Rim	Facet	Heatsink Type	Max. Temp. Range at Ta (°C)	Temp. Tc @ Ta = 35°C	Dimensions (mm)		Hole Cut (mm)	Weight (kg)	
						D x H x L	D2		Fitting	Gear
YOS 175/R	DCA	M. White Reflector	YHS 125	-20°C ~ 50°C	56°C	175 x 134 x 202	138	D162	0.76kg	0.52kg
YOS 175/RG	DCA	G. Frosted Diffuser	YHS 125	-20°C ~ 50°C	56°C	175 x 137 x 202	138	D162	0.86kg	0.52kg

OSRAM PL-CUBE LED Modules (DC)	Luminous Flux (lm)	Power (W) / Volt (V)	CCT (K)	CRI (Ra)	SDCM	Max. Temp. at Tc (°C)	Temp. at Tp (°C)	System Power (W)	System Current (A)	Lifespan (Hrs) (L70/B50)
PL-CUBE-2000-830	2,000lm	19.8W / 40.0V (500mA)	3,000K	≥ 80Ra	≤ 3	100°C	70°C	23.8W	≤ 0.11A	50,000Hrs
PL-CUBE-2000-840	2,000lm	19.8W / 40.0V (500mA)	4,000K	≥ 80Ra	≤ 3	100°C	70°C	23.8W	≤ 0.11A	50,000Hrs

OSRAM OPTOTRONIC LED Driver	Output Power (W)	Output Current (mA)	Output Voltage (V)	Power Loss (W)	Max Temp. at Tc (°C)	Driver Input (V, Hz)	Power Factor (λ)	Lifespan (Hrs)
OTe 35/220-240/700 CS S	13 ~ 37W	500 / 600 / 700mA	27 ~ 54V	5.3W	80°C	220~240V, 50/60Hz	PF 0.95	50,000Hrs

Photometric Data:





YLI
Ultimate Lighting Experience

YLI INDUSTRY SDN. BHD. (504654-U)

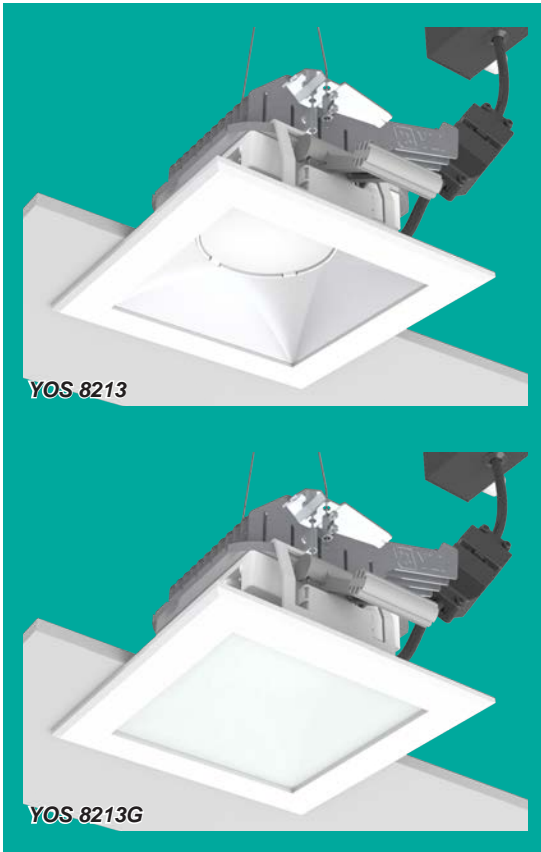
Tel: +60-5-366 5227 (Hunting Line), 366 4227, 366 8227, 366 9227

Fax: +60-5-365 1227, 366 1227

Email: info@yli-ind.com.my Website: www.yli-ind.com.my

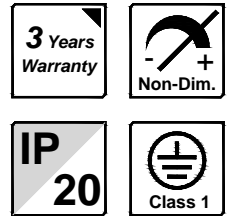
OASIS LED RECESSED SQUARE DOWNLIGHTS

MODEL: YOS 8213 / YOS 8213G (DC)



Specifications:

- Die Cast Aluminium Rim (Matt White)
- YLI - YHS 90 Aluminium Heatsink
- Aluminium Reflector Coated in Matt White
- Tempered Glass Frosted Diffuser (YOS 8213G)
- Nylon Connecting Devices - 3 Way
- Electrostatically Polyester Powder Coated
- Thick 1.2mm Safety Steel Cable For Hanging
- Stainless Steel Spring Clip With PC Cover
- Split Mild Steel Gear Box
- 3 Way Plug & Socket to Connect Downlight & Split Gear Box
- Recessed Ceiling Mounted

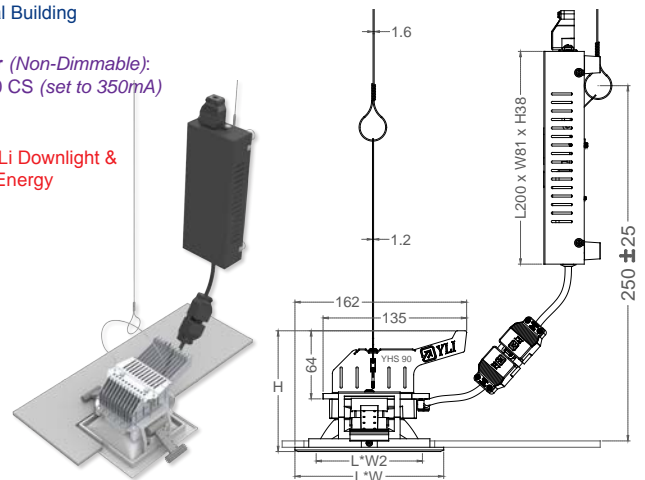


Areas of Application:

Home, Hospitality, Hotels, Offices, Retail, Supermarkets, Restaurants, Public & Commercial Building

OSRAM LED Driver (Non-Dimmable):
OTe 25/220-240/420 CS (set to 350mA)

Replace:
Equiv. to 1x30W CFLi Downlight & Save Over 50% on Energy

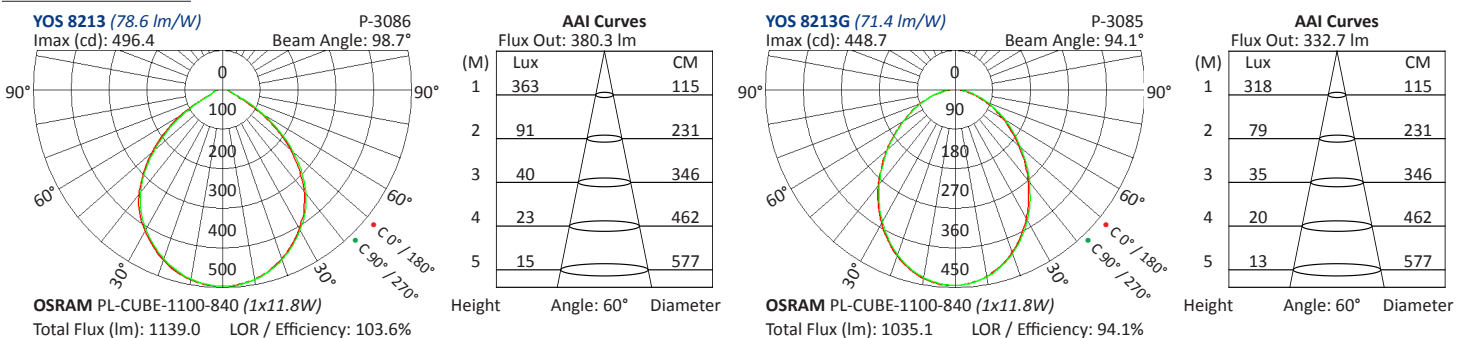


Model	Rim	Facet	Heatsink Type	Max. Temp. Range at Ta (°C)	Temp. Tc @ Ta = 35°C	Dimensions (mm)		Hole Cut (mm)	Weight (kg)	
						L*W x H x L	L*W2		Fitting	Gear
YOS 8213	DCA	M. White Reflector	YHS 90	-20°C ~ 50°C	52°C	140 x 114 x 162	100	123²	0.52kg	0.48kg
YOS 8213G	DCA	G. Frosted Diffuser	YHS 90	-20°C ~ 50°C	52°C	140 x 117 x 162	100	123²	0.60kg	0.48kg

OSRAM PL-CUBE LED Modules (DC)	Luminous Flux (lm)	Power (W) / Volt (V)	CCT (K)	CRI (Ra)	SDCM	Max. Temp. at Tc (°C)	Temp. at Tp (°C)	System Power (W)	System Current (A)	Lifespan (Hrs) (L70/B50)
PL-CUBE-1100-830	1,100lm	11.8W / 34.0V (350mA)	3,000K	≥ 80Ra	≤ 3	100°C	70°C	14.4W	≤ 0.07A	50,000Hrs
PL-CUBE-1100-840	1,100lm	11.8W / 34.0V (350mA)	4,000K	≥ 80Ra	≤ 3	100°C	70°C	14.4W	≤ 0.07A	50,000Hrs

OSRAM OPTOTRONIC LED Driver	Output Power (W)	Output Current (mA)	Output Voltage (V)	Power Loss (W)	Max Temp. at Tc (°C)	Driver Input (V, Hz)	Power Factor (λ)	Lifespan (Hrs)
OTe 25/220-240/420 CS	8 ~ 23W	290 / 350 / 420mA	27 ~ 54V	4W	75°C	220~240V, 50/60Hz	PF 0.95	50,000Hrs

Photometric Data:





YLI
Ultimate Lighting Experience

YLI INDUSTRY SDN. BHD. (504654-U)

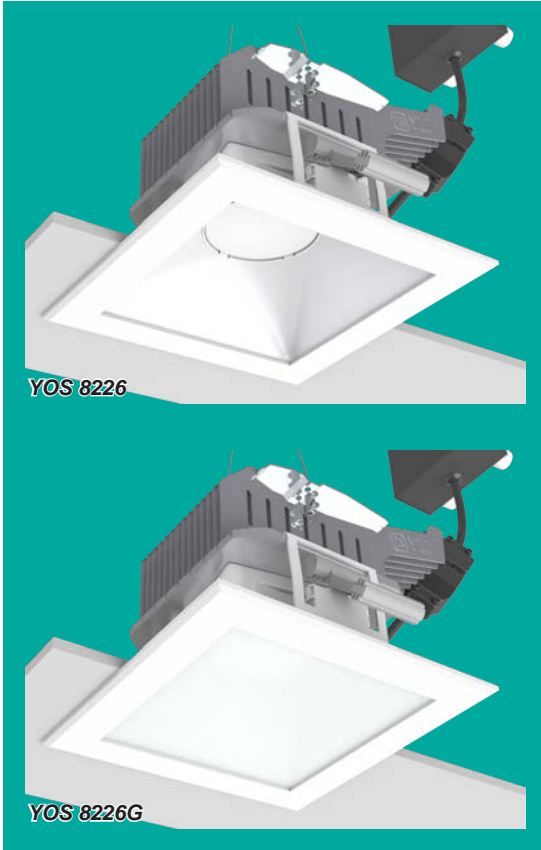
Tel: +60-5-366 5227 (Hunting Line), 366 4227, 366 8227, 366 9227

Fax: +60-5-365 1227, 366 1227

Email: info@yli-ind.com.my Website: www.yli-ind.com.my

OASIS LED RECESSED SQUARE DOWNLIGHTS

MODEL: YOS 8226 / YOS 8226G (DC)



Specifications:

- Die Cast Aluminium Rim (Matt White)
- YLI - YHS 125 Aluminium Heatsink
- Aluminium Reflector Coated in Matt White
- Tempered Glass Frosted Diffuser (YOS 8226G)
- Nylon Connecting Devices - 3 Way
- Electrostatically Polyester Powder Coated
- Thick 1.2mm Safety Steel Cable For Hanging
- Stainless Steel Spring Clip With PC Cover
- Split Mild Steel Gear Box
- 3 Way Plug & Socket to Connect Downlight & Split Gear Box
- Recessed Ceiling Mounted

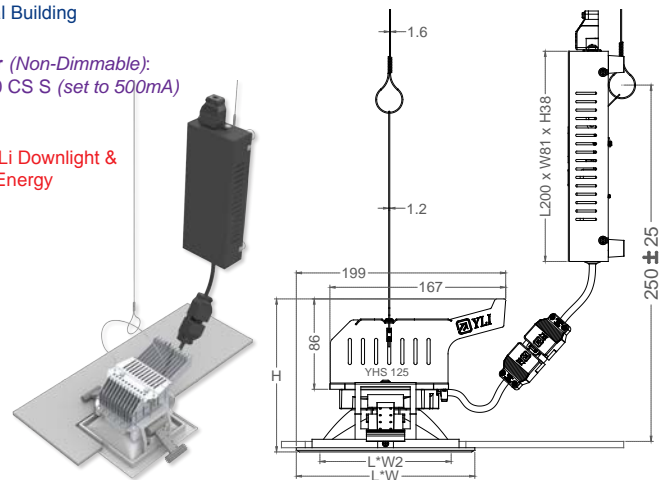


Areas of Application:

Home, Hospitality, Hotels, Offices, Retail, Supermarkets, Restaurants, Public & Commercial Building

OSRAM LED Driver (Non-Dimmable):
OTe 35/220-240/700 CS S (set to 500mA)

Replace:
Equiv. to 2x30W CFLi Downlight & Save Over 55% on Energy

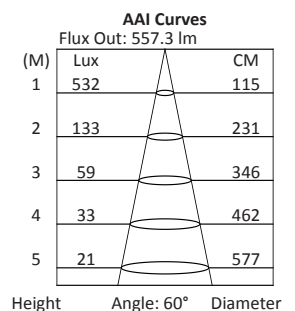
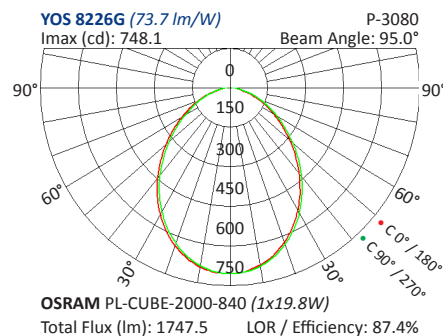
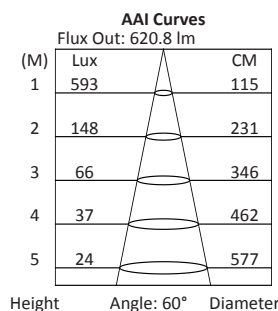
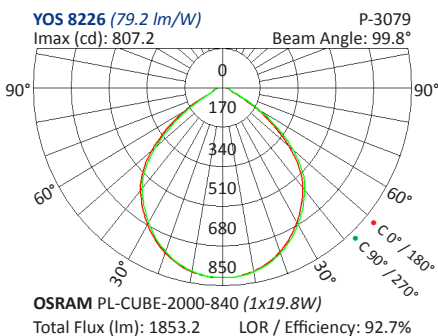


Model	Rim	Facet	Heatsink Type	Max. Temp. Range at Ta (°C)	Temp. Tc @ Ta = 35°C	Dimensions (mm)		Hole Cut (mm)	Weight (kg)	
						L*W x H x L	L*W2		Fitting	Gear
YOS 8226	DCA	M. White Reflector	YHS 125	-20°C ~ 50°C	56°C	170 x 146 x 199	125	153 ²	0.80kg	0.52kg
YOS 8226G	DCA	G. Frosted Diffuser	YHS 125	-20°C ~ 50°C	56°C	170 x 149 x 199	125	153 ²	0.92kg	0.52kg

OSRAM PL-CUBE LED Modules (DC)	Luminous Flux (lm)	Power (W) / Volt (V)	CCT (K)	CRI (Ra)	SDCM	Max. Temp. at Tc (°C)	Temp. at Tp (°C)	System Power (W)	System Current (A)	Lifespan (Hrs) (L70/B50)
PL-CUBE-2000-830	2,000lm	19.8W / 40.0V (500mA)	3,000K	≥ 80Ra	≤ 3	100°C	70°C	23.8W	≤ 0.11A	50,000Hrs
PL-CUBE-2000-840	2,000lm	19.8W / 40.0V (500mA)	4,000K	≥ 80Ra	≤ 3	100°C	70°C	23.8W	≤ 0.11A	50,000Hrs

OSRAM OPTOTRONIC LED Driver	Output Power (W)	Output Current (mA)	Output Voltage (V)	Power Loss (W)	Max Temp. at Tc (°C)	Driver Input (V, Hz)	Power Factor (λ)	Lifespan (Hrs)
OTe 35/220-240/700 CS S	13 ~ 37W	500 / 600 / 700mA	27 ~ 54V	5.3W	80°C	220~240V, 50/60Hz	PF 0.95	50,000Hrs

Photometric Data:





YLI
Ultimate Lighting Experience

YLI INDUSTRY SDN. BHD. (504654-U)

Tel: +60-5-366 5227 (Hunting Line), 366 4227, 366 8227, 366 9227

Fax: +60-5-365 1227, 366 1227

Email: info@yli-ind.com.my Website: www.yli-ind.com.my

OASIS LED SURFACE ROUND DOWNLIGHTS

MODEL: YOS 164/S / YOS 164/GS (DC)



Specifications:

- Aluminium Housing (Thickness 1.0mm)
- Mild Steel Base & Bracket
- Aluminium Heatsink
- Tempered Glass Frosted Diffuser (YOS 164/GS)
- Anodized Aluminium Frosted Reflector (YOS 164/S)
- Built-In Gear Chamber
- Nylon Connecting Devices - 3 Way
- Electrostatically Polyester Powder Coated
- Surface Mounted



Areas of Application:

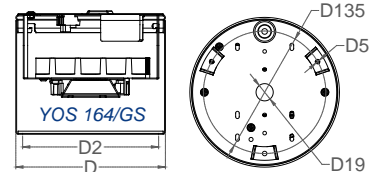
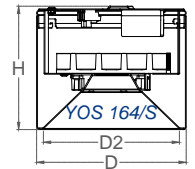
Home, Hospitality, Hotels, Offices,
Retail, Supermarkets, Restaurants,
Public & Commercial Building

OSRAM LED Driver (Non-Dimmable):

OTe 25/220-240/420 CS (set to 350mA)
OTe 35/220-240/700 CS S (set to 500mA)

Replace:

1,100lm Equiv. to 1x30W CFLi Downlight &
Save Over 50% on Energy
2,000lm Equiv. to 2x30W CFLi Downlight &
Save Over 55% on Energy



Model	Housing	Facet	Max. Temperature Range at Ta (°C)	OSRAM PL-CUBE LED Modules (DC)	Dimensions (mm)		Weight (kg)
					D x H	D2	
YOS 164/S	Aluminium	Frosted Reflector	-20°C ~ 40°C	PL-CUBE-1100-8**	165 x 135	150	0.81kg
			-20°C ~ 40°C	PL-CUBE-2000-8**	165 x 135	150	0.86kg
YOS 164/GS	Aluminium	Glass Frosted Diffuser	-20°C ~ 40°C	PL-CUBE-1100-8**	165 x 135	150	0.98kg
			-20°C ~ 40°C	PL-CUBE-2000-8**	165 x 135	150	1.03kg

OSRAM PL-CUBE LED Modules (DC)	Luminous Flux (lm)	Power (W) / Volt (V)	CCT (K)	CRI (Ra)	SDCM	Max. Temp. at Tc (°C)	Temp. at Tp (°C)	System Power (W)	System Current (A)	Lifespan (Hrs) (L70/B50)
PL-CUBE-1100-830	1,100lm	11.8W / 34.0V (350mA)	3,000K	≥ 80Ra	≤ 3	100°C	70°C	14.4W	≤ 0.07A	50,000Hrs
PL-CUBE-1100-840	1,100lm	11.8W / 34.0V (350mA)	4,000K	≥ 80Ra	≤ 3	100°C	70°C	14.4W	≤ 0.07A	50,000Hrs
PL-CUBE-2000-830	2,000lm	19.8W / 40.0V (500mA)	3,000K	≥ 80Ra	≤ 3	100°C	70°C	23.8W	≤ 0.11A	50,000Hrs
PL-CUBE-2000-840	2,000lm	19.8W / 40.0V (500mA)	4,000K	≥ 80Ra	≤ 3	100°C	70°C	23.8W	≤ 0.11A	50,000Hrs

OSRAM OPTOTRONIC LED Driver	Output Power (W)	Output Current (mA)	Output Voltage (V)	Power Loss (W)	Max Temp. at Tc (°C)	Driver Input (V, Hz)	Power Factor (λ)	Lifespan (Hrs)
OTe 25/220-240/420 CS	8 ~ 23W	290 / 350 / 420mA	27 ~ 54V	4W	75°C	220~240V, 50/60Hz	PF 0.95	50,000Hrs
OTe 35/220-240/700 CS S	13 ~ 37W	500 / 600 / 700mA	27 ~ 54V	5.3W	80°C	220~240V, 50/60Hz	PF 0.95	50,000Hrs

Photometric Data:

