

MK Switch - Isolators



Surface I Wiring Devices



MK Switch - Isolators



surface | wiring devices



range introduction

features and benefits

Switch-isolators from MK Electric are sturdily built to withstand more than just the vagaries of the weather. The entire range of MK isolating switches are exclusively designed to surpass uncompromising standards of total safety and reliability.

The MK Switch-Isolators range is yet another product line from MK Electric, the industry leader in product quality and safety standards for over 70 years.

When safety and quality matter most, choose MK. It's the logical choice.

Unique feature

MK switch-isolators are uniquely designed to be compact and neat in appearance — coupled with MK's renowned standard of quality, this allows the product to be placed unobtrusively in any outdoor location, no matter how exposed it is to the harsh effects of extreme heat, dust, rain and humidity.

The polycarbonate front cover has been deliberately chosen to withstand the rigours of outdoor environments.



Rigorously tested

MK switch-isolators are manufactured according to the strictest MK quality standards and the ISO 9000 quality system requirements.

All models are weatherproof as per IP66 and tested to IEC 60947-3 and BS EN 60947-3.

An important point to note is that MK switch-isolators are independently tested by renowned independent test authority, besides our own in-house testing.

Technical specification

AC22A	AC23A
Standard specification	
IEC 60947-3 & BS EN 60947-3	IEC 60947-3 & BS EN 60947-3
Number of pole	
2P & 4P	2P & 4P
Rated operational current I_e	
20A, 32A, 45A & 63A	20A, 32A, 45A, & 63A
Rated operational voltage U_e	
240 / 415V	240V / 415V
Rated insulation voltage U_i	
690V	690V
Rated impulse voltage U_{imp}	
2.5KVp1.2/50 μ s	2.5KVp1.2/50 μ s
Rated frequency	
50 / 60 Hz	50 / 60 Hz
Rated utilization category	
AC22A	AC23A
Rated making capacity	
3 I_e	10 I_e
Rated breaking capacity	
3 I_e	8 I_e
Rated short-time withstand current I_{cw}	
15 I_e for 1 $_s$	15 I_e for 1 $_s$
Rated short-circuit making capacity I_{cm}	
3000A	4500A
Pollution degree	
3	3
Degree of protection	
IP 66	IP 66

Selection table for list no.

	20A	32A	45A	63A
2 P	M4418	M4417	M4419	M4421
4 P	M4414	M4413	M4420	M4422

E.g. order a List No. M4418 - 22 for a AC 22A, 20A 2 pole switch-isolator.

MK Switch - Isolators



surface | wiring devices



Easily installed

Easy installation is one of the key features and benefits offered by MK. Cable entry knockouts are provided at the top and bottom of the enclosure. They are suitable for use with any standard range of cable/conduit accessories.

Each unit is supplied with two adaptors for convenience of installation.

Caps for mounting screws are supplied so as to enhance the weatherproof feature. Screw caps are also provided to prevent dust from collecting in the screw recesses and are designed to flush with the surface giving a good aesthetic look of a screwless switch-isolator.

Application

Designed to IEC 60947-1 & 60947-3, the MK range of switch-isolators are suitable for purpose of:

- Isolating;
- Switching ON & OFF on-load;
- Emergency switching;
- Functional switching

It is designed for frequent switching even on severe load such as switching of motor loads or other highly inductive loads.

Suitable to be mounted indoor and outdoor for adverse environmental condition of pollution degree 3 and IP 66.

Safety and security

To meet safety requirements of wiring installation rules, the handle can be padlocked in the switch OFF position for controlling equipment that are remotely installed. This will ensure securing an Off-load isolation against any inadvertent and unauthorised operation.

There is also the option for padlocking in the ON position just by drilling a hole in the lever. Full instructions are provided in instruction sheet.

A first and innovative design that allows padlocking to be done using padlock with hasp of smallest diameter up to 7mm.

2-Pole and 4-pole construction

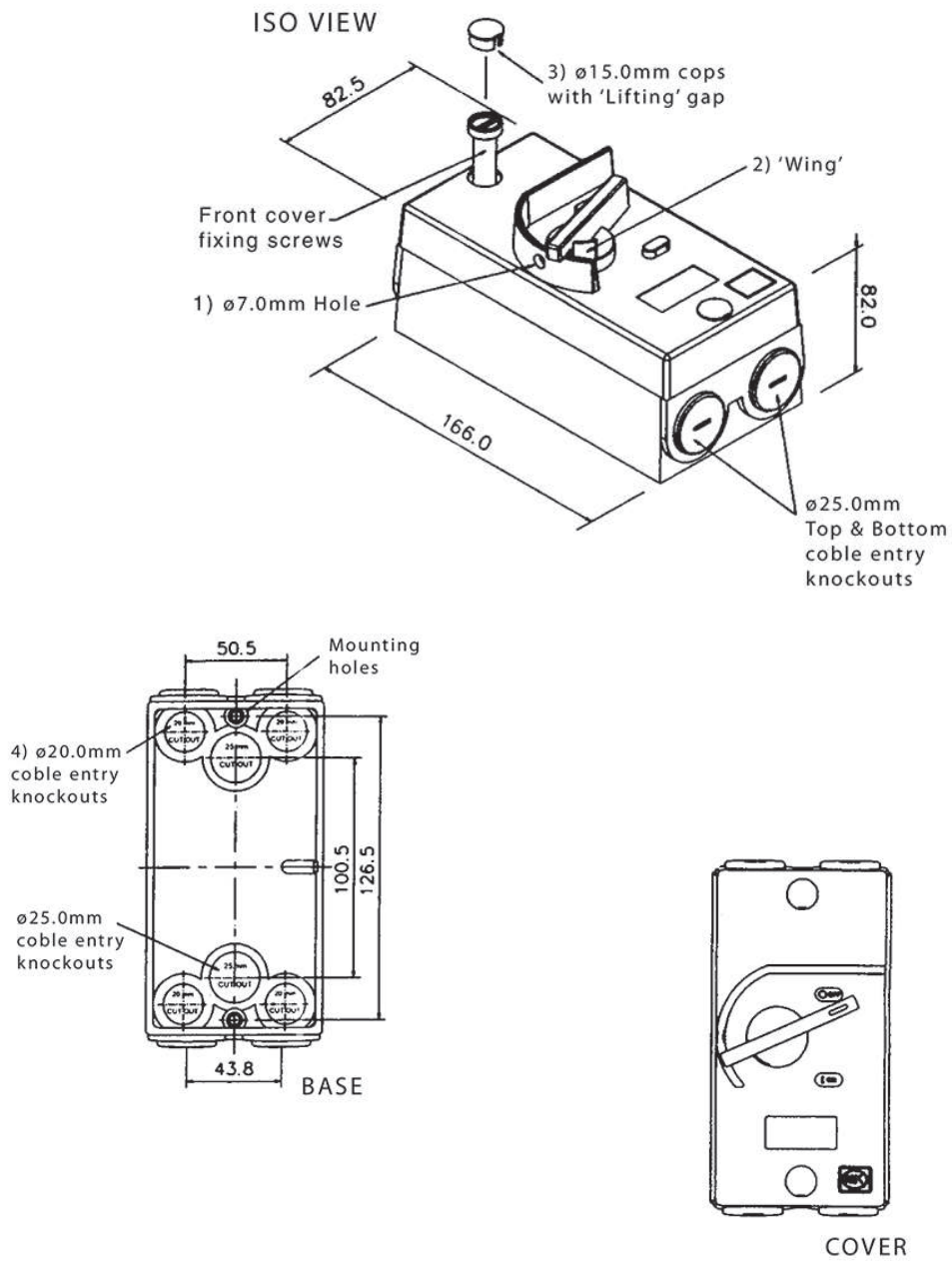
To ensure isolation of all live supply conductors from the circuit concerned, all poles are isolated. In addition, the isolating distance complies to requirement of IEC 60947 and that the position of contact is clearly and reliably indicated.

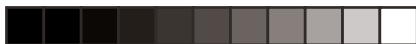
MK Switch - Isolators



surface | wiring devices

DIMENSIONS





Malaysia

MK Electric (Malaysia) Sdn Bhd

(Co. No. 39068-A)

Komplek Perusahaan LTAT
Jalan Pengapit 15/19,
40000 Shah Alam
Selangor Darul Ehsan, Malaysia
Telephone (603) 5519 2549
Facsimile (603) 5510 8867
Website www.mkelectric.com.my

Singapore

MK Electric (Singapore) Pte Ltd

17 Changi Business Park Central 1,
Honeywell Building
Singapore 486073
Telephone (65) 6714 6999
Facsimile (65) 6714 6998
Website www.mkelectric.com.sg

China

MK Electric (China) Ltd

21/F, Honeywell Tower, Olympia Plaza
255 King's Road, North Point, Hong Kong
Telephone (852) 2331 9133
Facsimile (852) 2151 9465
Website www.mkelectric.com.hk

Indonesia

PT MK Electric (Indonesia)

Graha Muncul Mekar Building 1st floor
Jalan Panjang No. 27
Arteri Kelapa Dua – Kebon Jeruk
Jakarta Barat – Indonesia 11550
Telephone (62) 021 5365 2322
Facsimile (62) 021 5367 1008

Thailand

Honeywell System (Thailand)

252/121 25th Floor
Muang Thai-Phatra Office Tower II
Ratchadapisek Road, Huay Khwang
BKK 10320
Telephone (662) 6933099
Facsimile (662) 6933989

Vietnam

Honeywell Environmental and Combustion Controls

(Ho Chi Minh Office)

Sai Gon Trade Center, Unit 2011
37 Ton Duc Thang St., Dist. 1,
Ho Chi Minh, Vietnam
Telephone (84) 8 39106013
Facsimile (84) 8 39106015

(Hanoi Office)

Suite 1304, 13th Floor,
Pacific Place Building,
83B Ly Thuong Kiet, Hoan Kiem,
Hanoi, Vietnam
Telephone (84) 4 39461348
Facsimile (84) 4 39461346

