

Honeywell | Wiring Devices



ECORE SR



Switch on to style, simplicity and reliability



ECORE SR from MK Electric is a new line up of high quality wiring devices that is engineered to be reliable and suitable for all wiring devices needs of any residence while staying true to MK Electric's hallmark of unparalleled safety in terms of features. It's stylish and modern and able to compliment any modern architecture perfectly.



1. Screwless Aesthetic design

It is modular and provides flexibility in installation with its unique screwless design

2. Manufactured from high quality materials

Made of durable polycarbonate plastic and is available in basic essential white.

3. Fully compliant with MS/BS/IEC standards

ECORE SR the ideal choice for residential and replacement market.





Wide Rocker Switches



E4781 W1 WHI (1 way)
E4781 WHI (2 way)
 1 gang 10AX
 Wide Rocker SP Switch



E4782 W1 WHI (1 way)
E4782 WHI (2 way)
 2 gang 10AX
 Wide Rocker SP Switch



E4783 WHI
 3 gang 10AX
 Wide Rocker SP
 2 way Switch



E4778B WHI
 1 gang 10A
 1 Way Push Switch
 with 'BELL' Symbol



E4787N WHI (1 way)
E4725 WHI (2 way)
 1 gang 20AX DO Switch
 with Neon

Socket Outlets



E2757SR WHI
 1 gang 13A
 SP switched socket outlet



E2747SR WHI
 2 gang 13A
 SP switched socket outlet



E2893SR WHI
 1 gang 15A SP
 switched socket outlet

Connection Units



E1090SR WHI
 25A Connection unit with Front Flex Outlet



Voice / TV Outlets



E3520SR WHI
Single non-isolated



E3521SR WHI
Single isolated outlet



E3522SR WHI
Double TV/FM isolated



E3529SR WHI
Cable TV 'F' type connector



E3527SR WHI
2 gang TV/FM Outlet come with Isolator
(Starhub approved)



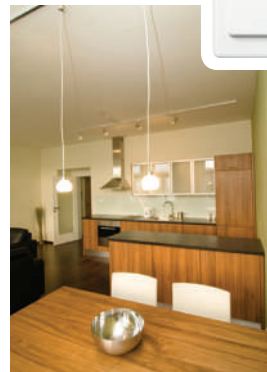
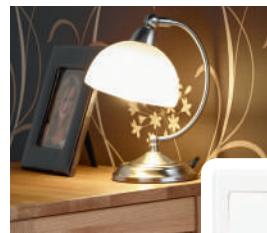
E3553SR WHI
TV/FM & satellite (non-isolated)
Triplexer socket



E4817SR WHI
1 gang RJ11 American type



E4810SR WHI
10 Way Telephone Connector



Data Outlets and Accessories



E5450SRNE WHI
1 gang Euro Plate - 1 Module



E5451SRNE WHI
1 gang Euro Plate - 2 Module



E3827SR WHI
1 gang Blank Plate





Data Outlets and Accessories



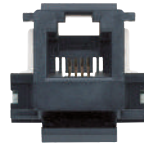
EX5452 WHI
1 Module Blank Plate
(For use with
E5450SRNE WHI/
E5451SRNE WHI)



EX5453 WHI
Adaptor RJ45 &
RJ11 Jacks
(Suit CAT 5/CAT 6)



SX5454
RJ45 CAT 5e Jack



SX5455
RJ11 Jack



SX5457
RJ45 CAT 6 Jack



EX5456A WHI
Angular RJ45
Jack adaptor
(Singapore version)



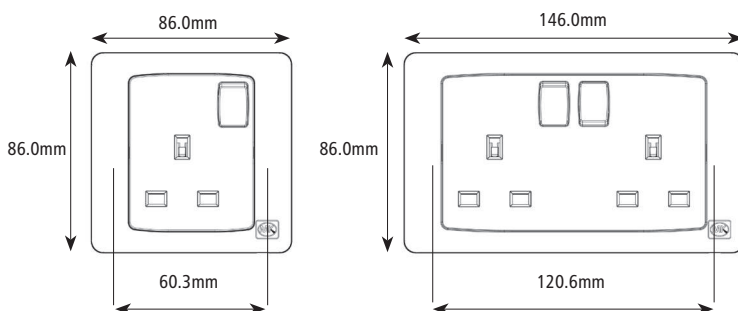
SX5457A
RJ45 CAT 6 Jack
(Singapore version)

CONFORM TO INTERNATIONAL STANDARDS

The products are manufactured in an ISO 9002 environment and comply to British/IEC, Malaysia and Singapore standards.

	British Standard/IEC	Malaysia Standard	Singapore Standard
10A SP 1 Way /10AX SP 1 Way & 2 Way Switches	IEC/BSEN 60669	MS IEC 60669	SS 227
13A Socket Outlets	BS 1363	MS 589	SS 145
20AX DP Switches	IEC/BSEN 60669	MS IEC 60669	SS 227
15A SP Switched Socket	BS 546	MS 1577	SS 472
25A Connection Unit	BS 5733	-	-
Data Communication Outlets	BS 5733	-	-
RJ 11 American Type Telephone Socket (4 Wire)	-	-	TAS TS L2-1

PRODUCT DIMENSIONS



MALAYSIA

Honeywell Environmental & Energy Solutions

Komplek Perusahaan LTAT
Jalan Pengapit 15/19, 40000 Shah Alam
Selangor Darul Ehsan, Malaysia
Telephone (603) 5519 2549
Facsimile (603) 5510 8867

SINGAPORE

Honeywell Environmental & Energy Solutions

17 Changi Business Park Central 1,
Honeywell Building, Singapore 486073
Telephone (65) 6714 6999
Facsimile (65) 6714 6998

INDONESIA

PT Honeywell Indonesia

Graha Muncul Mekar Building
1st Floor, Jalan Panjang No. 27,
Arteri Kelapa Dua – Kebon Jeruk
Jakarta Barat 11550, Indonesia
Telephone (62) 021 536 52322
Facsimile (62) 021 536 71008

Honeywell

