



ARTEOR™ — simply fits your needs

ARTEOR™



ARTEOR™ __Contents

■ 1. GENERAL INTRODUCTION	
- simply fits your needs	4
- truly international	6
■ 2. DESIGN	8
- design: choose to be different	10
- design options for control functions	11
- a rich choice of finishes	12
■ 3. INSTALLATION FEATURES	16
- versatility and modularity for unrivalled flexibility	18
- installation safety first	20
■ 4. FUNCTIONS	22
- essentials for modern living	24
- solutions for commercial premises	26
- office solutions for efficiency and performance	28
- hotel solutions: a perfect response to customer needs	30

ARTEOR™ — simply fits your needs



4

Arteor™ is a perfect combination of simplicity and versatility thanks to its unique design, and an extensive and complete range of functions.



Villas



It's versatility makes Arteor™ the ideal choice for any type of project. It's suitable for any requirement in terms of design and function and for all types of buildings, from residential to commercial.

Apartments



Offices



Hotels



Shops



_ARTEOR™: truly international

Euro/US, Italian, French and German standard



British Standard



Korea



Euro/US/China



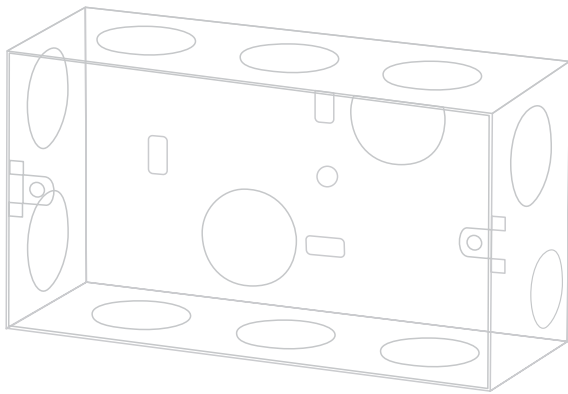
India



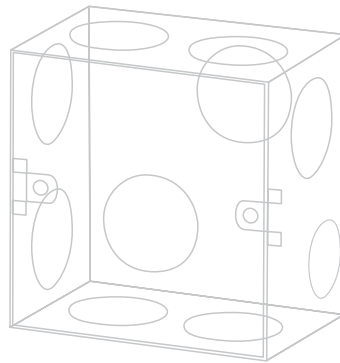
Arteor™ has been developed as an authentic international concept. This international approach enables it to fulfil local market requirements with specific solutions, designed to match local installation habits.

Arteor™ is compatible with any kind of flush mounting box.

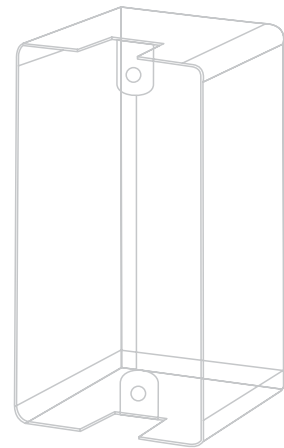
Some examples:



Italian type



British type



US type

South Africa



Australia



The range provides all major standards and types of sockets: British, US, Italian, German, French, Korean, Indian, Chinese, Australian, South African...



Design

_Design: Choose to be different

The minimalist and sober design of Arteor™ can be understood all over the world.

Design options for control functions give a wider choice to your customer and allow to be different - whatever the level of requirements.



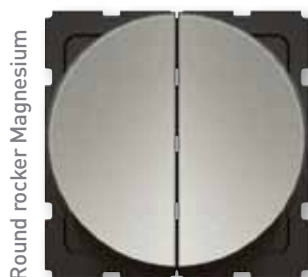
_Design options for control functions



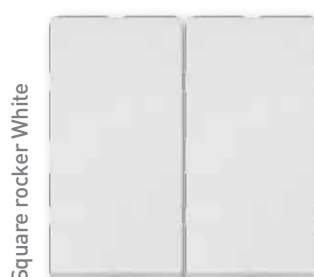
All stand-alone control functions are available in two shapes of rockers – round or square – and in two colours – white or magnesium.



Round rocker White



Round rocker Magnesium



Square rocker White



Square rocker Magnesium

A rich choice of finishes

A choice of neutral, classical tones and timeless, universal design options allow to find the ideal solution whatever the environment or level of installation.

NEUTRAL

12



Timeless yet trendy, Arteur™ adds an individual note to living environments.

Graphite



Pearl Alu



A rich choice of finishes

TATTOO

The modernist collection with a cultural touch.



Edition 1

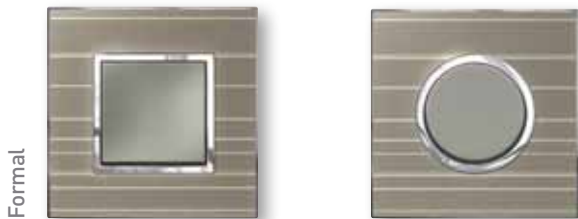


The perfect answer for high-end requirements

MIRROR



GRAPHIC



SIGNATURE



WOOD

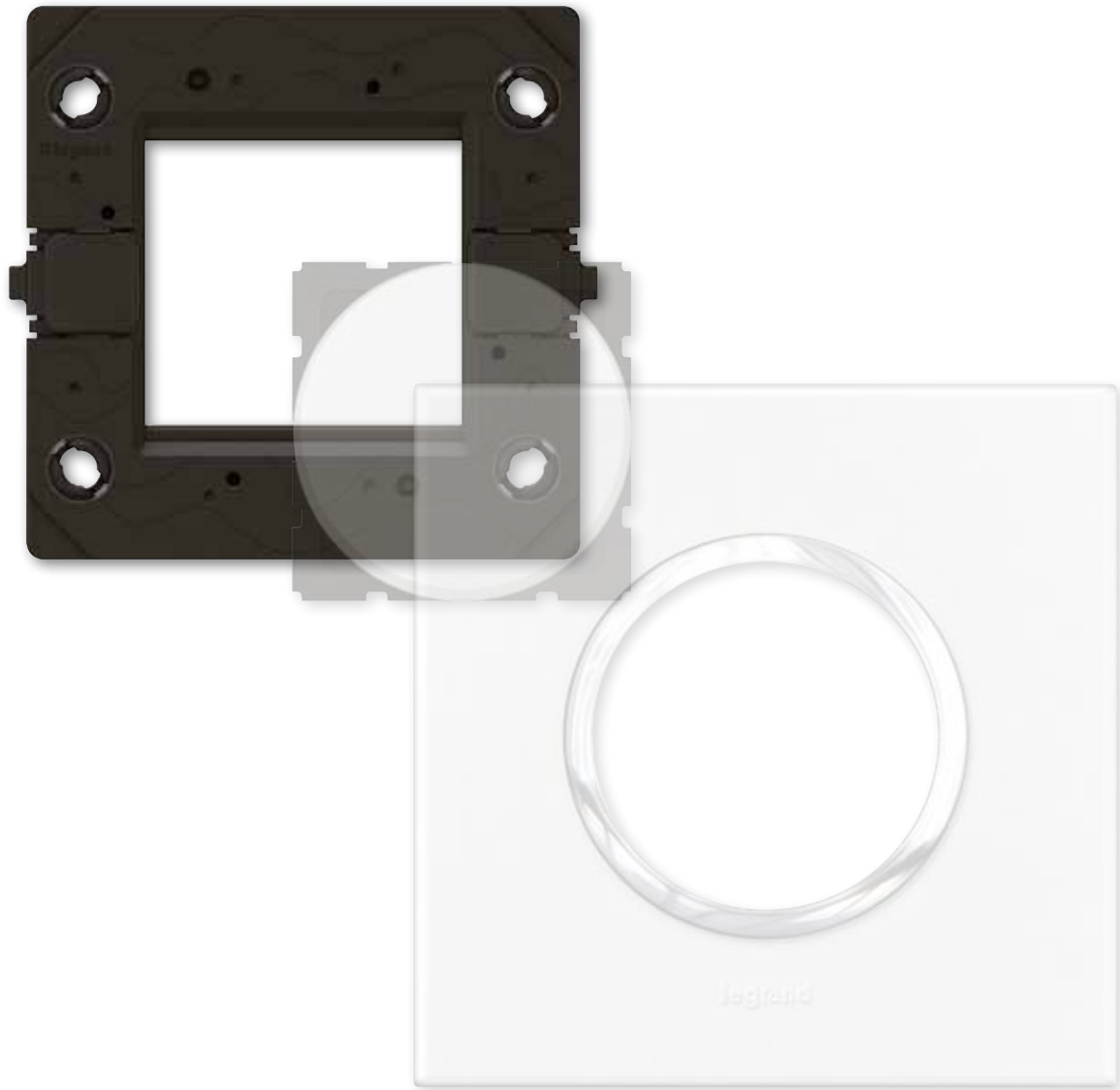


LEATHER



BRUSHED METAL

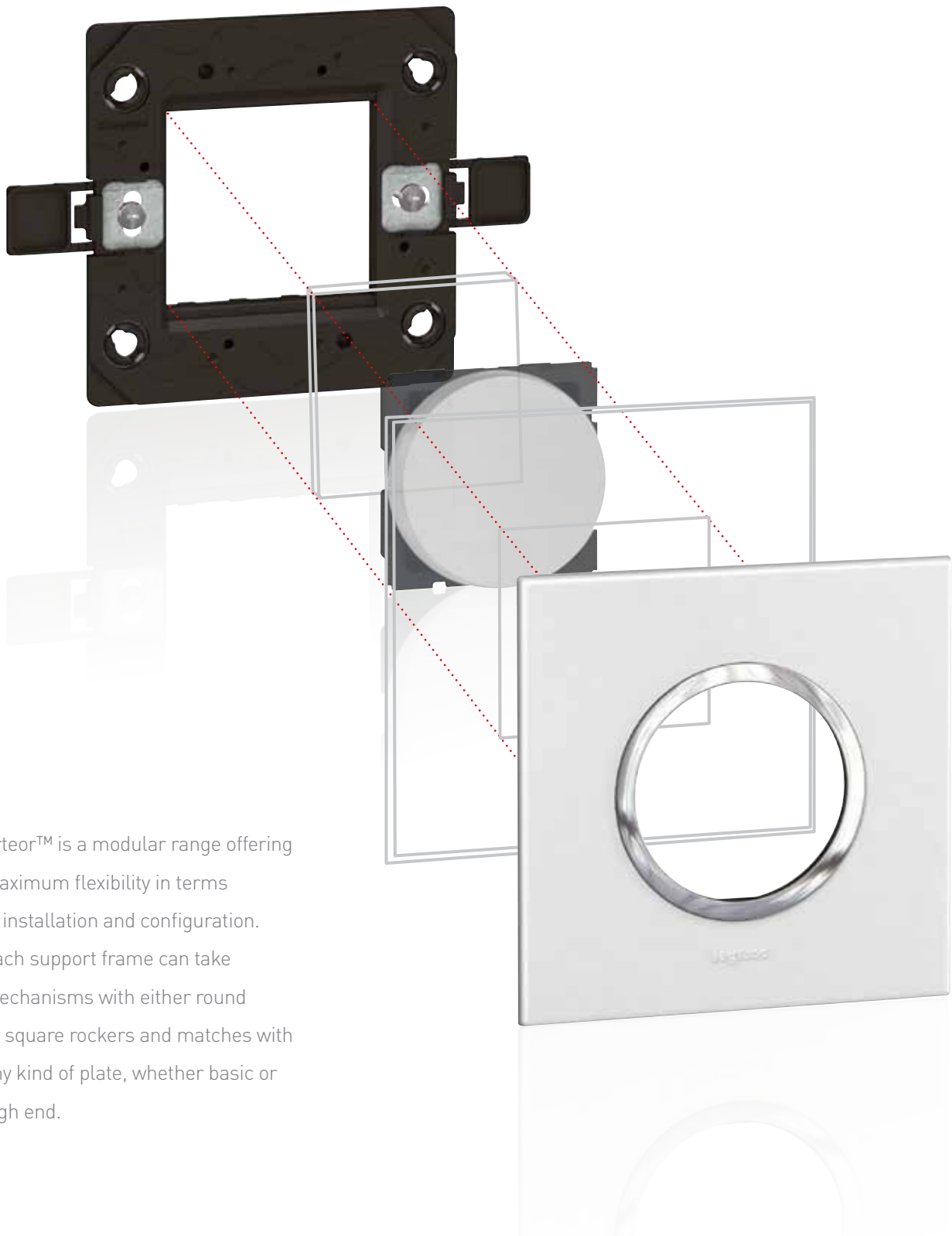




Installation features

_Versatility and modularity for unrivalled flexibility

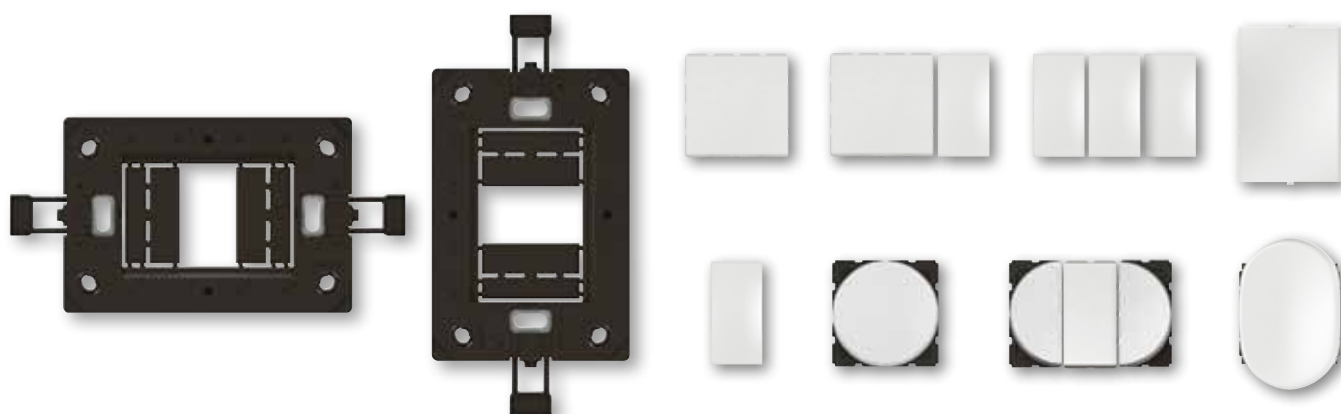
18



Arteor™ is a modular range offering maximum flexibility in terms of installation and configuration. Each support frame can take mechanisms with either round or square rockers and matches with any kind of plate, whether basic or high end.

The modular concept allows for any kind of individual customized configuration even in tight spaces.

Modularity is maintained whatever the standard.



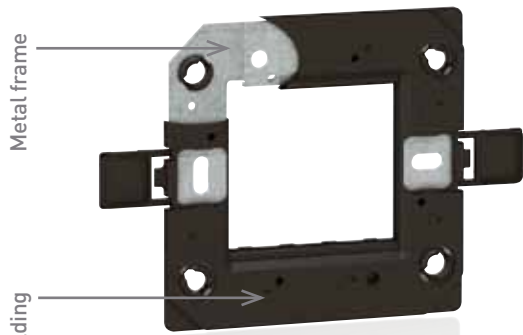
19

Arteor™ mechanisms are fully compatible with Legrand floor boxes, columns and trunking system.



_Installation **safety** first

20

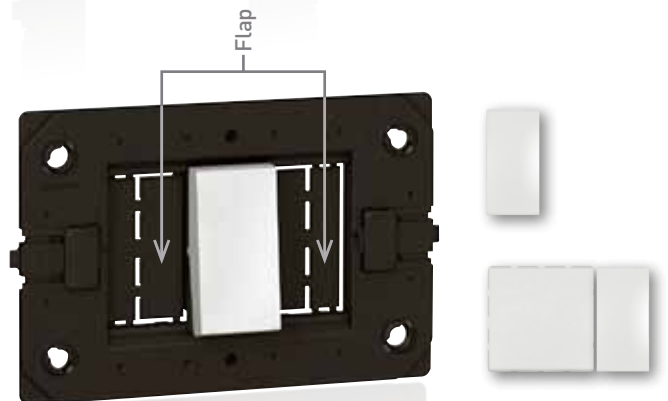


The innovative bi-material support frame provides IP 20 electrical safety. It combines the sturdiness of a metal frame with the insulating qualities of plastic overmoulding.



Screw caps can be closed once the support frame is installed, ensuring total insulation.

Specific to US/Italian standard support frames: flaps ensure safety when only one or two modules are installed on a 3-module support frame. Flaps avoid any contact with the wires (e.g. in case of disinstallation) and can be broken out according to individual needs.



Safety at every step of the installation process

Support frames are supplied with special protective shells, and all plates come with a flexible protection film.

This ensures full protection against dust and paint - whether only support frame and mechanism are installed...



21

... or whether the complete product is mounted before completion of site work.

Protective film should be removed only once site work is fully completed.





Functions for any kind of project

_Essentials for modern living

Comfort

Micropush switch



Electronic micropush switch

Universal Dimmer



Suitable for all kinds of loads including compact fluorescent lamps and LEDs

Sensitive switch



Allows to control light sources by simply passing the hand in front of it

24

Energy saving

Automatic switch



For automatic lighting control

Electronic room thermostat



For active temperature management



Safety

Gas detector



Indicates presence of gas via LED and audible alarm

RCBO



Ensures protection against electric shocks



Arteor™ innovative solutions for modern living enhance comfort, help save energy and ensure greater safety. Motion sensitive and automatic switches, dimmers for modern, low consumption light sources such as compact fluorescent lamps and LEDs, electronic room thermostats, technical alarms – the range offers a great variety of functions that meet all the requirements of modern installations.

_Solutions for small commercial premises

Lighting control

Leading/trailing edge dimmer 2x400W



3-gang 1-gang switch



26

Comfort

Shutter control



Fan control



Access to power and data

British Standard socket



Double RJ45 socket



Access control

Coded keypad reader



Finishes that perfectly match different shop designs, modern lighting control solutions, power and data sockets for the installation of modern cashier systems allowing for credit card payment, access control devices to secure your stock: with its combination of aesthetics and functionality Arteor™ provides efficient solutions for modern shop design.

_Office solutions for efficiency and performance

Lighting control

Skirting light with detector



Dimmer for ballasts 0-10V



Lighting environment controller



28

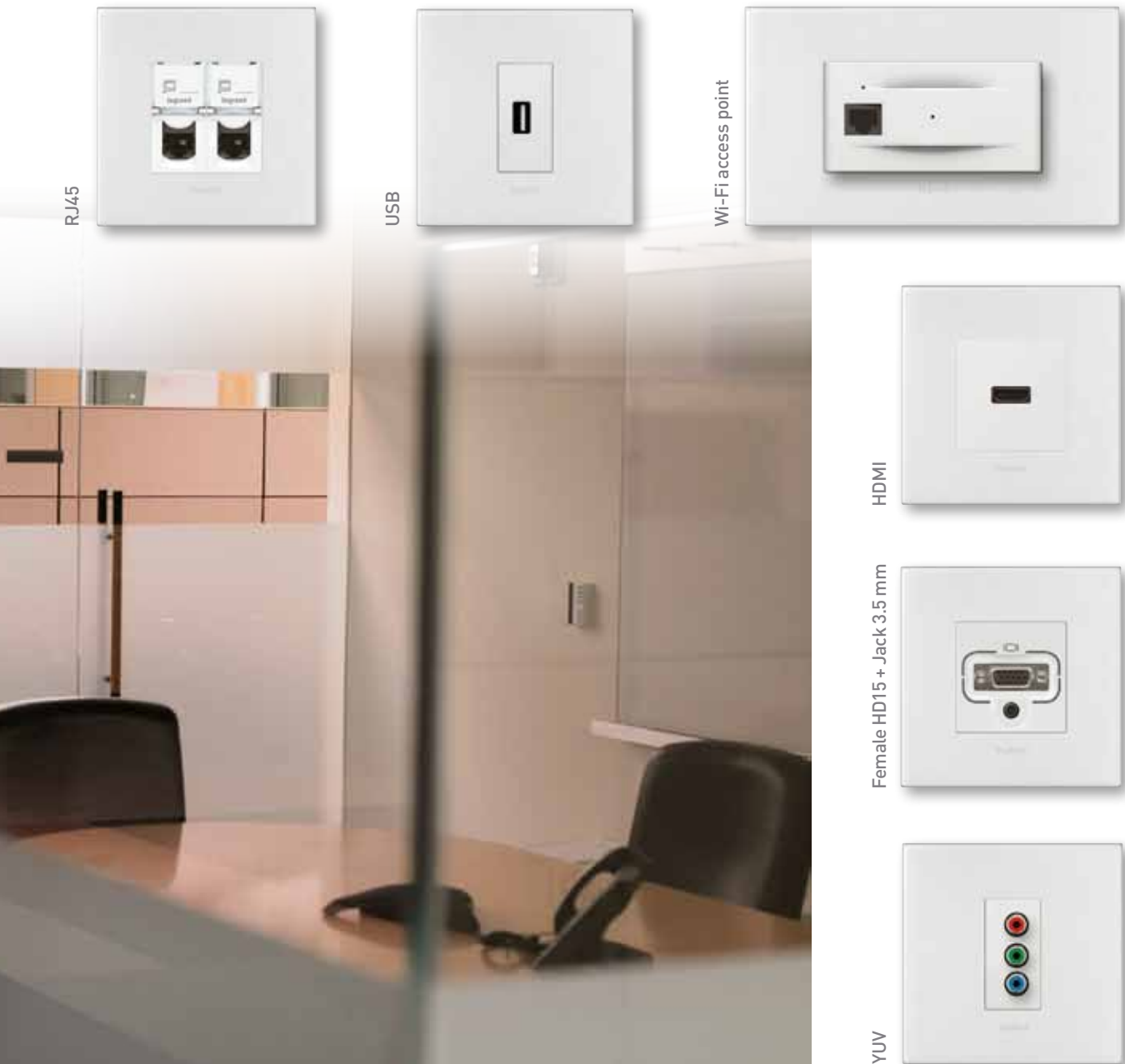
Access control

Fingerprint reader



From specific products for adaptable or automatic control of lighting via solutions for access control right through to a wide variety of data, audio and video sockets: Arteor™ contributes to make office buildings operate in a way that is functionally optimal and energy efficient at once.

Access to data



Reliable access to data or the internet and flexible use of modern audio and video devices - Arteur™ adapts to all digital developments and provides perfect connections, whatever the requirement.

_Hotel solutions: a perfect response to customer needs

At the door



Keycard switch



External unit



Internal unit

30

Near the bed



Bed light and curtain switch



Soft light diffusor

Work & leisure area



Data, audio and video sockets: RJ 45/ HDMI/ RCA/ S-Video, TV-R-SAT. YUV



From the entrance of the hotel room to the bedside table – Arteor™ solutions for the specific needs of the current hotel industry are designed to enhance customer comfort. And to perfectly meet their requirements for easy connection of various multimedia devices (MP3 players, digital cameras, USB drives, etc.) and flexible access to the internet.

For further information
please contact us



World Headquarters
128, av du Maréchal-de-Lattre-de-Tassigny
87045 Limoges Cedex - France
Tel: + 33 (0) 5 55 06 87 87
Fax: + 33 (0) 5 55 06 88 88

www.legrandgroup.com